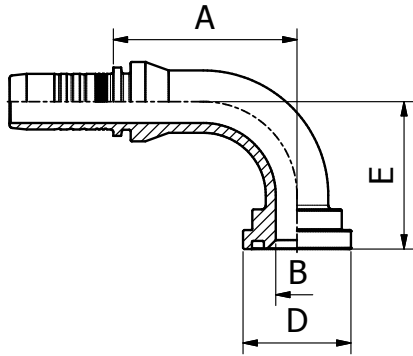


SAE STANDARD CONNECTIONS

# M23391

90° ISO/SAE CODE 61 FLANGE  
SAE J516 / ISO 12151-3



| PART. REF.       | HOSE BORE |      |        | FLANGE |  | DIMENSIONS mm |       |       |       |  |  |
|------------------|-----------|------|--------|--------|--|---------------|-------|-------|-------|--|--|
|                  | DN        | Dash | inch   | inch   |  | B             | A     | D     | E     |  |  |
| M23391-06-08     | 10        | -6   | 3/8"   | 1/2"   |  | 9.3           | 44.5  | 30.0  | 34.5  |  |  |
| M23391-08-08     | 12        | -8   | 1/2"   | 1/2"   |  | 9.3           | 54.5  | 30.3  | 40.0  |  |  |
| M23391-08-12     | 12        | -8   | 1/2"   | 3/4"   |  | 15.0          | 54.5  | 38.0  | 41.0  |  |  |
| M23391-08-16     | 12        | -8   | 1/2"   | 1"     |  | 19.8          | 54.5  | 44.6  | 66.0  |  |  |
| M23391-10-08     | 16        | -10  | 5/8"   | 1/2"   |  | 9.3           | 56.0  | 30.3  | 46.5  |  |  |
| M23391-10-12     | 16        | -10  | 5/8"   | 3/4"   |  | 15.0          | 56.0  | 38.0  | 47.5  |  |  |
| M23391-12-12     | 19        | -12  | 3/4"   | 3/4"   |  | 15.0          | 64.5  | 38.0  | 52.0  |  |  |
| M23391-12-16     | 19        | -12  | 3/4"   | 1"     |  | 20.0          | 64.5  | 44.6  | 52.0  |  |  |
| M23391-12-20     | 19        | -12  | 3/4"   | 1.1/4" |  | 26.0          | 64.5  | 51.0  | 52.0  |  |  |
| M23391-16-12     | 25        | -16  | 1"     | 3/4"   |  | 15.0          | 71.0  | 38.0  | 52.0  |  |  |
| M23391-16-16     | 25        | -16  | 1"     | 1"     |  | 19.8          | 77.5  | 44.6  | 62.0  |  |  |
| M23391-16-20     | 25        | -16  | 1"     | 1.1/4" |  | 26.0          | 77.5  | 51.0  | 62.0  |  |  |
| M23391-16-24     | 25        | -16  | 1"     | 1.1/2" |  | 32.0          | 77.0  | 60.5  | 64.0  |  |  |
| M23391-20-16     | 31        | -20  | 1.1/4" | 1"     |  | 19.8          | 80.0  | 44.6  | 66.0  |  |  |
| M23391-20-20     | 31        | -20  | 1.1/4" | 1.1/4" |  | 26.0          | 90.5  | 51.0  | 70.0  |  |  |
| M23391-20-24     | 31        | -20  | 1.1/4" | 1.1/2" |  | 32.0          | 90.5  | 60.5  | 72.0  |  |  |
| M23391-20-32     | 31        | -20  | 1.1/4" | 2"     |  | 42.0          | 93.5  | 71.6  | 76.0  |  |  |
| M23391-24-20     | 38        | -24  | 1.1/2" | 1.1/4" |  | 26.0          | 104.5 | 51.0  | 75.0  |  |  |
| M23391-24-24     | 38        | -24  | 1.1/2" | 1.1/2" |  | 32.0          | 108.0 | 60.5  | 84.0  |  |  |
| M23391-24-32     | 38        | -24  | 1.1/2" | 2"     |  | 42.0          | 108.0 | 71.6  | 84.0  |  |  |
| M23391-32-24     | 51        | -32  | 2"     | 1.1/2" |  | 32.0          | 136.0 | 60.5  | 89.0  |  |  |
| M23391-32-32     | 51        | -32  | 2"     | 2"     |  | 42.0          | 129.0 | 71.6  | 99.0  |  |  |
| M23391-32-40     | 51        | -32  | 2"     | 2.1/2" |  | 56.0          | 132.5 | 84.3  | 116.0 |  |  |
| M23391-40-32     | 63        | -40  | 2.1/2" | 2"     |  | 42.0          | 149.5 | 71.6  | 114.0 |  |  |
| M23391-40-40     | 63        | -40  | 2.1/2" | 2.1/2" |  | 52.0          | 88.0  | 84.3  | 119.0 |  |  |
| M23391-40-40A150 | 63        | -40  | 2.1/2" | 2.1/2" |  | 52.0          | 150.5 | 84.3  | 117.0 |  |  |
| M23391-40-48     | 63        | -40  | 2.1/2" | 3"     |  | 61.0          | 120.0 | 101.6 | 140.0 |  |  |
| M23391-48-48     | 76        | -48  | 3"     | 3"     |  | 58.0          | 123.0 | 101.6 | 140.0 |  |  |
| M23391-48-56     | 76        | -48  | 3"     | 3.1/2" |  | 61.0          | 123.0 | 114.3 | 115.0 |  |  |
| M23391-56-56     | 89        | -56  | 3.1/2" | 3.1/2" |  | 79.0          | 134.5 | 114.3 | 160.0 |  |  |
| M23391-64-64     | 102       | -64  | 4"     | 4"     |  | 90.0          | 153.5 | 127.0 | 158.5 |  |  |

All items are made from solid with the exception of M23391-40-40, M23391-40-48, M23391-48-48, M23391-48-56, M23391-56-56, M23391-64-64.